



sliding bar accessory for: 3VA1 250

Versiyon

ürün marka adı	SETRON
ürün tanımı	Aksesuar

Mekanik Tasarım

net ağırlık	865 g
-------------	-------

Diğer bilgiler

Information- and Downloadcenter (Catalogs, Brochures,...)

<http://www.siemens.com/lowvoltage/catalogs>

Industry Mall (Online ordering system)

<https://mall.industry.siemens.com/mall/tr/tr/Catalog/product?mlfb=3VA9258-0VF30>

Service&Support (Manuals, Certificates, Characteristics, FAQs,...)

<https://support.industry.siemens.com/cs/ww/tr/ps/3VA9258-0VF30>

Image database (product images, 2D dimension drawings, 3D models, device circuit diagrams, ...)

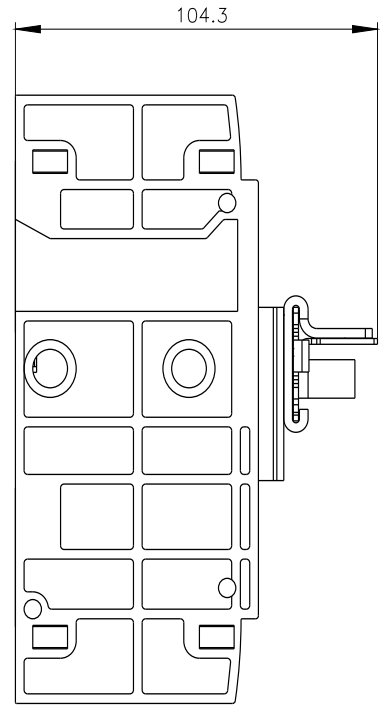
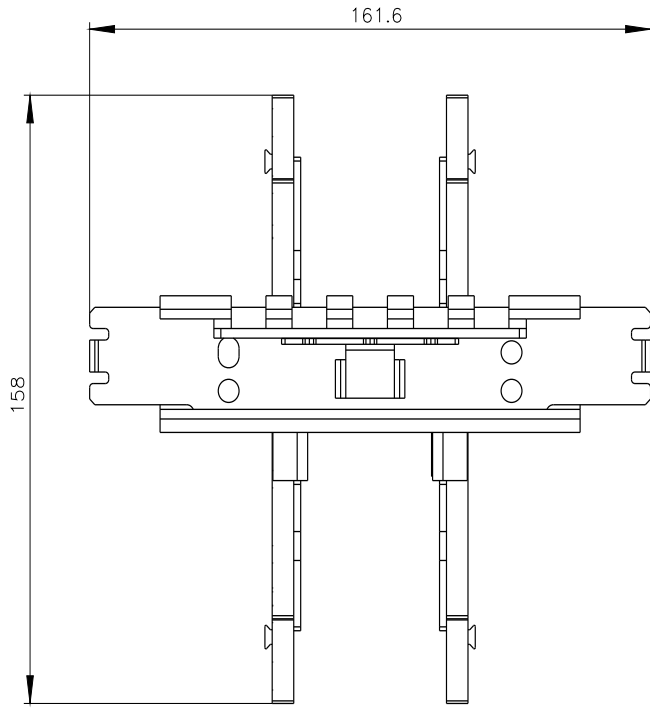
http://www.automation.siemens.com/bilddb/cax_en.aspx?mlfb=3VA9258-0VF30

CAX-Online-Generator

<http://www.siemens.com/cax>

Tender specifications

<http://www.siemens.com/specifications>



Son deęişiklik:

20.12.2020 