

fixed-mounted circuit breaker 3-pole, size II, IEC In=2500A to 690V, AC50/60Hz Icu=66kA at 500V rear connection horizontal Overcurrent release ETU 45 LSING protection adjustable 0.4-1 in with cubicle bus and Ground fault protection Opt.: Comm./measuring func./ZSS With manual operating mechanism with storage with mechanical request without 1st auxiliary release without 2nd auxiliary release 2NO+2NC



Model	
Product brand name	SENTRON
Product designation	ACB
Design of the auxiliary switch	2 NO + 2 NC
Design of the product	IEC 60947-2
Design of the operating mechanism	Pushbutton
Type of the driving mechanism	Manual operating mechanism with mechanical closing

Type of the driving mechanism / motor drive	No
Design of the overcurrent release	ETU45B
General technical data	
Number of poles	3
Size of the circuit-breaker	2
Electrical endurance (switching cycles) / typical	15 000
Usage category	B
circuit-breaker / Design	3WL1
Mechanical service life (switching cycles) / typical	15 000
Voltage	
Rated insulation voltage U_i	1 000 V
Protection class	
Protection class IP	IP20
Protective function of the overcurrent release	LSING
Dissipation	
Power loss [W] / for rated value of the current / at AC / in hot operating state / per pole	90 W
Electricity	
Operating current / at 45 °C / rated value	2 500 A
Continuous current / rated value	2 500 A
Adjustable pick-up value current	
• of the current-dependent overload release / Full-scale value	2 500 A
• of instantaneous short-circuit trip unit / initial value	3 750 A
• of instantaneous short-circuit trip unit / Full-scale value	30 000 A
Short-time current resistance (I _{cw})	
• limited to 0.5 s / rated value	66 kA
• limited to 1 s / rated value	55 kA
• limited to 2 s / rated value	39 kA
• limited to 3 s / rated value	32 kA
Main circuit	
Operating frequency	
• 1 / rated value	50 Hz
• 2 / rated value	60 Hz
Operating voltage	
• at AC / at 50/60 Hz / rated value	690 V
Operating current	
• at 40 °C / rated value	2 500 A
• at 50 °C / rated value	2 500 A

• at 55 °C / rated value	2 500 A
• at 60 °C / rated value	2 500 A
• at 65 °C / rated value	2 500 A
• at 70 °C / rated value	2 280 A

Auxiliary circuit

Number of NC contacts / for auxiliary contacts	2
Number of NO contacts / for auxiliary contacts	2

Suitability

Suitability for use	Plant / motor protection
---------------------	--------------------------

Adjustable parameters

Adjustable pick-up value current	
• of the L-trip / with I4t characteristic / initial value	1 000 A
• of the L-trip / with I4t characteristic / Full-scale value	2 500 A
Adjustable pick-up value current / of the current-dependent overload release / initial value	1 000 A

Product details

Product component	
• Trip indicator	Yes
• Voltage trigger	No
• undervoltage release	No
Product extension / optional / motor drive	Yes

Product function

Product function	
• Ground fault protection	Yes
• Phase failure detection	Yes

Display and operation

Display version	without display
-----------------	-----------------

Short circuit

Operational short-circuit current breaking capacity (Ics)	
• at 415 V / rated value	66 kA
• at 500 V / rated value	66 kA
• at 690 V / rated value	50 kA
Maximum short-circuit current breaking capacity (Icu)	
• at 415 V / rated value	66 kA
• at 500 V / rated value	66 kA
• at 690 V / rated value	50 kA

Connections

Type of electrical connection / for main current circuit	busbar connection
--	-------------------

Mechanical Design

Height	440.5 mm
Width	460 mm
Depth	337 mm
Mounting type	fixed mounting

Environmental conditions

Ambient temperature	-20 ... +70 °C
	-40 ... +70 °C

Certificates

Reference code	
• acc. to DIN EN 61346-2	Q
• acc. to DIN EN 81346-2	Q

General Product Approval	Declaration of Conformity	Test Certificates	Shipping Approval
--------------------------	---------------------------	-------------------	-------------------



[Miscellaneous](#)

[Special Test Certificate](#)



Shipping Approval	other
-------------------	-------



[Environmental Conformations](#)

[Manufacturer Declaration](#)

[Miscellaneous](#)

Further information

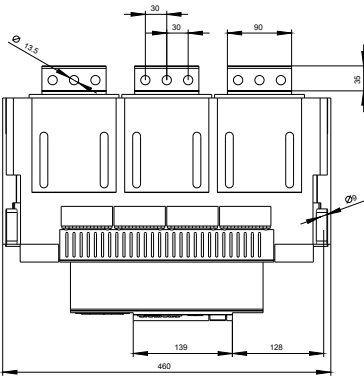
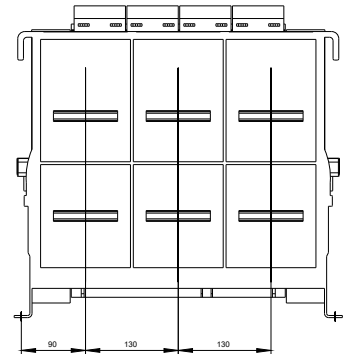
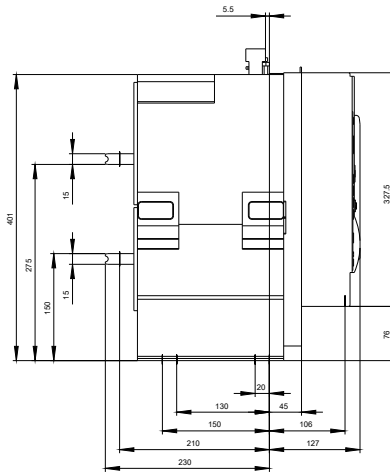
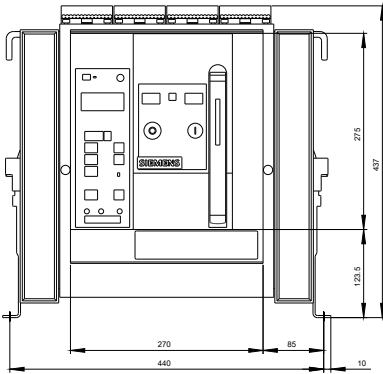
Industry Mall (Online ordering system)
<https://mall.industry.siemens.com/mall/en/en/Catalog/product?mlfb=3WL1225-2EG32-1AA2>

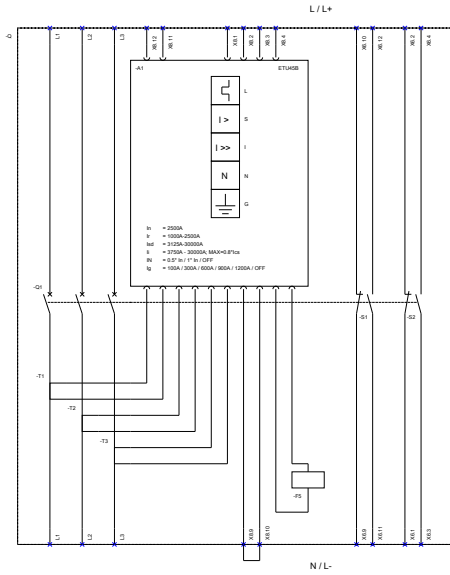
Service&Support (Manuals, Certificates, Characteristics, FAQs,...)
<https://support.industry.siemens.com/cs/ww/en/ps/3WL1225-2EG32-1AA2>

Image database (product images, 2D dimension drawings, 3D models, device circuit diagrams, ...)
http://www.automation.siemens.com/bilddb/cax_en.aspx?mlfb=3WL1225-2EG32-1AA2

CAX-Online-Generator
<http://www.siemens.com/cax>

Tender specifications
<http://www.siemens.com/specifications>





S (Spring Time Delay / Überlastschutz), S (Short Time Delay / Kurzschlussschutz, kurzzeitverzögerter)
 I (Instantaneous / Kurzschlussschutz, unverzögert), N (Neutral Protection / Neutralleiterschutz),
 G (Ground Fault Protection / Erdschlussschutz), S1 (Auxiliary switch / Hilfschalter)

last modified:

06/29/2019