

fixed-mounted circuit breaker 3-pole, size II, IEC In=2500A to 690V, AC50/60Hz Icu=66kA at 500V rear connection horizontal Overcurrent release ETU 15 LI protection adjustable 0.5-1 in Motorized/manual operating mechanism with spring charging motor AC 50/60 Hz 208-240 V or 220-250 V DC Activation AC 50/60 Hz 230 V, 220 V DC without 1st auxiliary release With 2nd auxiliary release "R", F3 Undervoltage, instant. 208-240 V AC, 220-250 V DC 2NO+2NC



Model	
Product brand name	SENTRON
Product designation	ACB
Design of the auxiliary switch	2 NO + 2 NC
Design of the product	IEC 60947-2
Design of the operating mechanism	Pushbutton

Type of the driving mechanism	Manual/motorized operating mechanism with mechanical and electrical closing
Type of the driving mechanism / motor drive	Yes
Design of the overcurrent release	ETU15B

General technical data

Number of poles	3
Size of the circuit-breaker	2
Usage category	B
circuit-breaker / Design	3WL1

Voltage

Rated insulation voltage U_i	1 000 V
--------------------------------	---------

Protection class

Protection class IP	IP20
Protection class IP / on the front	IP20
Protective function of the overcurrent release	LI

Dissipation

Power loss [W] / for rated value of the current / at AC / in hot operating state / per pole	90 W
---	------

Electricity

Operating current / at 45 °C / rated value	2 500 A
Continuous current / rated value	2 500 A
Adjustable pick-up value current	
<ul style="list-style-type: none"> • of the current-dependent overload release / Full-scale value 	2 500 A
<ul style="list-style-type: none"> • of instantaneous short-circuit trip unit / initial value 	5 000 A
<ul style="list-style-type: none"> • of instantaneous short-circuit trip unit / Full-scale value 	20 000 A

Main circuit

Operating frequency	
<ul style="list-style-type: none"> • 1 / rated value 	50 Hz
<ul style="list-style-type: none"> • 2 / rated value 	60 Hz
Operating voltage	
<ul style="list-style-type: none"> • at AC / at 50/60 Hz / rated value 	690 V
Operating current	
<ul style="list-style-type: none"> • at 40 °C / rated value 	2 500 A
<ul style="list-style-type: none"> • at 50 °C / rated value 	2 500 A
<ul style="list-style-type: none"> • at 55 °C / rated value 	2 500 A
<ul style="list-style-type: none"> • at 60 °C / rated value 	2 500 A
<ul style="list-style-type: none"> • at 65 °C / rated value 	2 500 A
<ul style="list-style-type: none"> • at 70 °C / rated value 	2 280 A

Auxiliary circuit	
Number of NC contacts / for auxiliary contacts	2
Number of NO contacts / for auxiliary contacts	2
Suitability	
Suitability for use	system protection
Adjustable parameters	
Adjustable pick-up value current / of the current-dependent overload release / initial value	1 250 A
Product details	
Product component	
• Trip indicator	Yes
• Voltage trigger	No
• undervoltage release	Yes
Product extension / optional / motor drive	No
Product function	
Product function	
• Ground fault protection	No
• Phase failure detection	No
Display and operation	
Display version	without display
Short circuit	
Operational short-circuit current breaking capacity (Ics)	
• at 415 V / rated value	66 kA
• at 500 V / rated value	66 kA
• at 690 V / rated value	50 kA
Maximum short-circuit current breaking capacity (Icu)	
• at 415 V / rated value	66 kA
• at 500 V / rated value	66 kA
• at 690 V / rated value	50 kA
Connections	
Type of electrical connection / for main current circuit	busbar connection
Mechanical Design	
Height	440.5 mm
Width	460 mm
Depth	337 mm
Mounting type	fixed mounting
Environmental conditions	
Ambient temperature	

-20 ... +70 °C

-40 ... +70 °C

Certificates

Reference code

- acc. to DIN EN 61346-2
- acc. to DIN EN 81346-2

Q

Q

General Product Approval	Declaration of Conformity	Test Certificates	Shipping Approval
--------------------------	---------------------------	-------------------	-------------------



CCC



EG-Konf.

[Miscellaneous](#)

[Special Test Certificate](#)



ABS



BUREAU VERITAS

Shipping Approval	other
-------------------	-------



LRS



PRS



RMRS

[Environmental Confirmations](#)

[Manufacturer Declaration](#)

[Miscellaneous](#)

Further information

Industry Mall (Online ordering system)

<https://mall.industry.siemens.com/mall/en/en/Catalog/product?mlfb=3WL1225-2BB32-4AN2>

Service&Support (Manuals, Certificates, Characteristics, FAQs,...)

<https://support.industry.siemens.com/cs/ww/en/ps/3WL1225-2BB32-4AN2>

Image database (product images, 2D dimension drawings, 3D models, device circuit diagrams, ...)

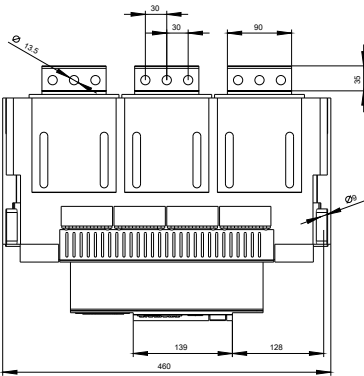
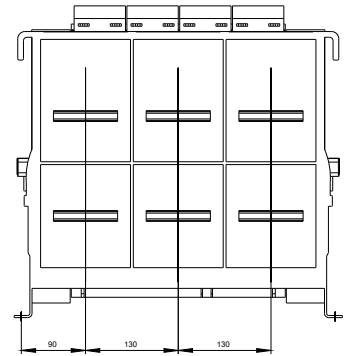
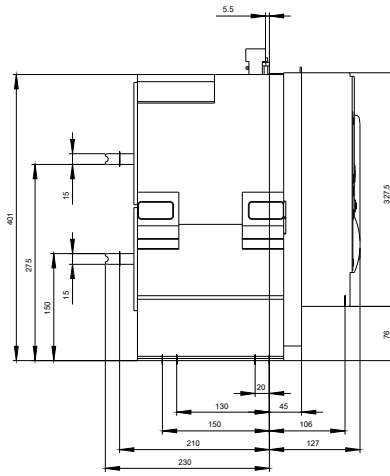
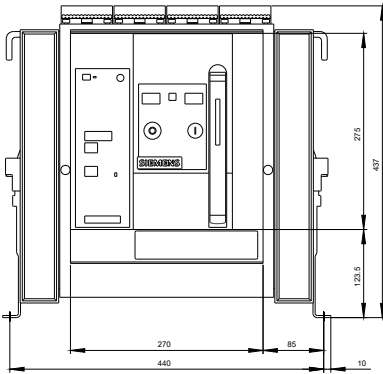
http://www.automation.siemens.com/bilddb/cax_en.aspx?mlfb=3WL1225-2BB32-4AN2

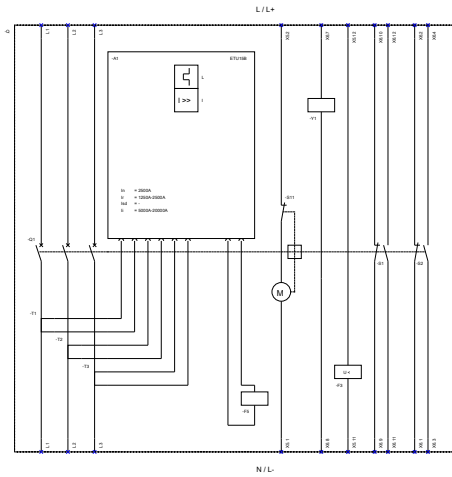
CAX-Online-Generator

<http://www.siemens.com/cax>

Tender specifications

<http://www.siemens.com/specifications>





© 2019 Siemens AG. Alle Rechte vorbehalten. Siemens AG, München, Deutschland.
 R11: Interne Motor-Stopfunktion, wenn die Spring-Absicherung / Spring-Blockschuttschleife, wenn Feder gespannt, F3: Überspannungsrelais / Unterspannungsrelais.
 F4: Schutzgerät für Trip-Unit / Auslöseorgan; R1 - R3: Phasen-Schalter / Hilfskontakte, Y1: Öffnung über Hilfskontaktorgan.

last modified:

06/29/2019