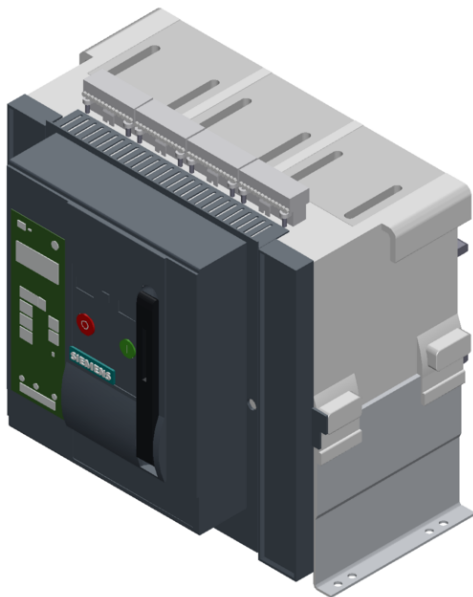


fixed-mounted circuit breaker 3-pole, size II, IEC In=2000A to 690V, AC50/60Hz Icu=100kA at 500V rear connection horizontal  
Overcurrent release ETU45 LSIN protection adjustable 0.4-1 in with display and cubicle bus Opt.: Comm. /measuring func./ground fault/  
ZSS With manual operating mechanism with storage with mechanical request without 1st auxiliary release without 2nd auxiliary release  
2NO+2NC



Model	
Product brand name	SENTRON
Product designation	ACB
Design of the auxiliary switch	2 NO + 2 NC
Design of the product	IEC 60947-2
Design of the operating mechanism	Pushbutton
Type of the driving mechanism	Manual operating mechanism with mechanical closing

Type of the driving mechanism / motor drive	No
Design of the overcurrent release	ETU45B
<b>General technical data</b>	
Number of poles	3
Size of the circuit-breaker	2
Usage category	B
circuit-breaker / Design	3WL1
<b>Voltage</b>	
Rated insulation voltage Ui	1 000 V
<b>Protection class</b>	
Protection class IP	IP20
Protection class IP / on the front	IP20
Protective function of the overcurrent release	LSIN
<b>Dissipation</b>	
Power loss [W] / for rated value of the current / at AC / in hot operating state / per pole	60 W
<b>Electricity</b>	
Operating current / at 45 °C / rated value	2 000 A
Continuous current / rated value	2 000 A
Adjustable pick-up value current	
• of the current-dependent overload release / Full-scale value	2 000 A
• of instantaneous short-circuit trip unit / initial value	3 000 A
• of instantaneous short-circuit trip unit / Full-scale value	24 000 A
<b>Main circuit</b>	
Operating frequency	
• 1 / rated value	50 Hz
• 2 / rated value	60 Hz
Operating voltage	
• at AC / at 50/60 Hz / rated value	690 V
Operating current	
• at 40 °C / rated value	2 000 A
• at 50 °C / rated value	2 000 A
• at 55 °C / rated value	2 000 A
<b>Auxiliary circuit</b>	
Number of NC contacts / for auxiliary contacts	2
Number of NO contacts / for auxiliary contacts	2
<b>Suitability</b>	

Suitability for use	Plant / motor protection
---------------------	--------------------------

### Adjustable parameters

Adjustable pick-up value current	
<ul style="list-style-type: none"> <li>• of the L-trip / with I4t characteristic / initial value</li> <li>• of the L-trip / with I4t characteristic / Full-scale value</li> </ul>	800 A 2 000 A
Adjustable pick-up value current / of the current-dependent overload release / initial value	800 A

### Product details

Product component	
<ul style="list-style-type: none"> <li>• Trip indicator</li> <li>• Voltage trigger</li> <li>• undervoltage release</li> </ul>	Yes No No
Product extension / optional / motor drive	Yes

### Product function

Product function	
<ul style="list-style-type: none"> <li>• Ground fault protection</li> <li>• Phase failure detection</li> </ul>	No Yes

### Display and operation

Display version	WITH 4-LINE DISPLAY
-----------------	---------------------

### Short circuit

Operational short-circuit current breaking capacity (Ics)	
<ul style="list-style-type: none"> <li>• at 415 V / rated value</li> <li>• at 500 V / rated value</li> <li>• at 690 V / rated value</li> </ul>	100 kA 100 kA 85 kA
Maximum short-circuit current breaking capacity (Icu)	
<ul style="list-style-type: none"> <li>• at 415 V / rated value</li> <li>• at 500 V / rated value</li> <li>• at 690 V / rated value</li> </ul>	100 kA 100 kA 85 kA

### Connections

Type of electrical connection / for main current circuit	busbar connection
--	-------------------

### Mechanical Design

Height	440.5 mm
Width	460 mm
Depth	337 mm
Mounting type	fixed mounting

### Environmental conditions

Ambient temperature	-20 ... +55 °C
---------------------	----------------





-40 ... +70 °C

## Certificates

Reference code

- acc. to DIN EN 61346-2
- acc. to DIN EN 81346-2

Q  
Q

General Product Approval	Declaration of Conformity	Test Certificates	Shipping Approval
 CCC	 VDE	 EG-Konf.	 ABS

[Special Test Certificate](#)

[Miscellaneous](#)

## Shipping Approval

other



[Environmental Confirmations](#)

[Manufacturer Declaration](#)

## other

[Miscellaneous](#)

## Further information

**Industry Mall (Online ordering system)**

<https://mall.industry.siemens.com/mall/en/en/Catalog/product?mlfb=3WL1220-4FB32-1AA2>

**Service&Support (Manuals, Certificates, Characteristics, FAQs,...)**

<https://support.industry.siemens.com/cs/ww/en/ps/3WL1220-4FB32-1AA2>

**Image database (product images, 2D dimension drawings, 3D models, device circuit diagrams, ...)**

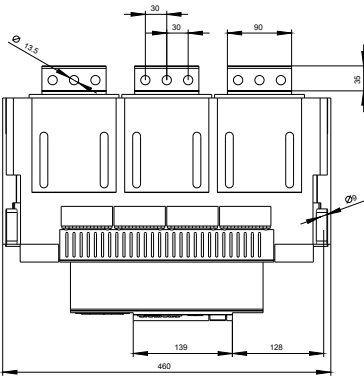
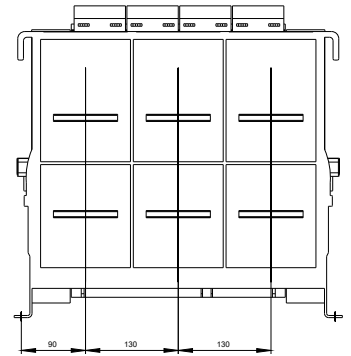
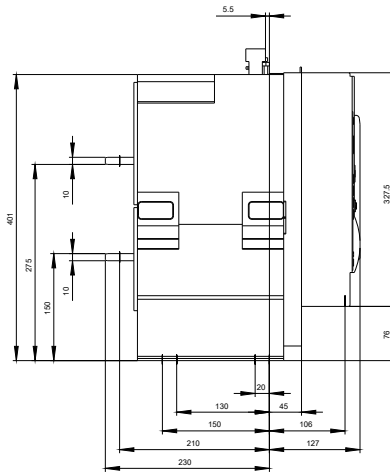
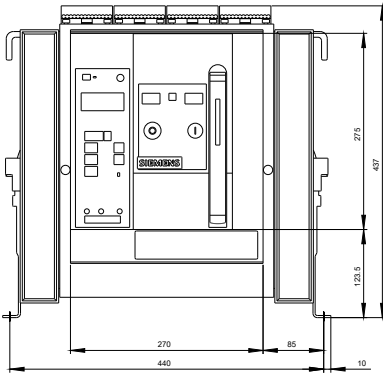
[http://www.automation.siemens.com/bilddb/cax\\_en.aspx?mlfb=3WL1220-4FB32-1AA2](http://www.automation.siemens.com/bilddb/cax_en.aspx?mlfb=3WL1220-4FB32-1AA2)

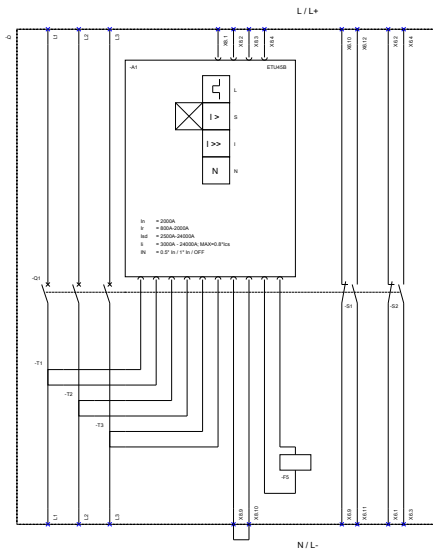
**CAX-Online-Generator**

<http://www.siemens.com/cax>

**Tender specifications**

<http://www.siemens.com/specifications>





last modified:

06/29/2019