

withdrawable circuit breaker with guide frame 3-pole, size I, IEC
 In=1250A to 690V, AC50/60Hz Icu=85kA at 500V rear connection
 horizontal Overcurrent release ETU45 LSIN protection adjustable
 0.4-1 in with display and cubicle bus Opt.: Comm. /measuring
 func./ground fault/ ZSS With manual operating mechanism with
 storage with mechanical request without 1st auxiliary release without
 2nd auxiliary release 2NO+2NC



Model	
Product brand name	SENTRON
Product designation	ACB
Design of the auxiliary switch	2 NO + 2 NC
Design of the product	IEC 60947-2
Design of the operating mechanism	Pushbutton
Type of the driving mechanism	Manual operating mechanism with mechanical closing

Type of the driving mechanism / motor drive	No
Design of the overcurrent release	ETU45B
General technical data	
Number of poles	3
Size of the circuit-breaker	1
Usage category	B
circuit-breaker / Design	3WL1
Voltage	
Rated insulation voltage Ui	1 000 V
Protection class	
Protection class IP	IP20
Protection class IP / on the front	IP20
Protective function of the overcurrent release	LSIN
Dissipation	
Power loss [W] / for rated value of the current / at AC / in hot operating state / per pole	68.3 W
Electricity	
Operating current / at 45 °C / rated value	1 250 A
Continuous current / rated value	1 250 A
Adjustable pick-up value current	
• of the current-dependent overload release / Full-scale value	1 250 A
• of instantaneous short-circuit trip unit / initial value	1 875 A
• of instantaneous short-circuit trip unit / Full-scale value	15 000 A
Main circuit	
Operating frequency	
• 1 / rated value	50 Hz
• 2 / rated value	60 Hz
Operating voltage	
• at AC / at 50/60 Hz / rated value	690 V
Operating current	
• at 40 °C / rated value	1 250 A
• at 50 °C / rated value	1 250 A
• at 55 °C / rated value	1 250 A
Auxiliary circuit	
Number of NC contacts / for auxiliary contacts	2
Number of NO contacts / for auxiliary contacts	2
Suitability	

Suitability for use	Plant / motor protection
---------------------	--------------------------

Adjustable parameters

Adjustable pick-up value current	
<ul style="list-style-type: none"> • of the L-trip / with I4t characteristic / initial value • of the L-trip / with I4t characteristic / Full-scale value 	500 A 1 250 A
Adjustable pick-up value current / of the current-dependent overload release / initial value	500 A

Product details

Product component	
<ul style="list-style-type: none"> • Trip indicator • Voltage trigger • undervoltage release 	Yes No No
Product extension / optional / motor drive	Yes

Product function

Product function	
<ul style="list-style-type: none"> • Ground fault protection • Phase failure detection 	No Yes

Display and operation

Display version	WITH 4-LINE DISPLAY
-----------------	---------------------

Short circuit

Operational short-circuit current breaking capacity (Ics)	
<ul style="list-style-type: none"> • at 415 V / rated value • at 500 V / rated value • at 690 V / rated value 	85 kA 85 kA 66 kA
Maximum short-circuit current breaking capacity (Icu)	
<ul style="list-style-type: none"> • at 415 V / rated value • at 500 V / rated value • at 690 V / rated value 	85 kA 85 kA 66 kA

Connections

Type of electrical connection / for main current circuit	busbar connection
--	-------------------

Mechanical Design

Height	460 mm
Width	320 mm
Depth	456 mm
Mounting type	drawer unit

Environmental conditions





Ambient temperature	-20 ... +55 °C
---------------------	----------------

Certificates

Reference code





- acc. to DIN EN 61346-2
- acc. to DIN EN 81346-2

Q
Q

General Product Approval	Declaration of Conformity	Test Certificates	Shipping Approval
 CCC	 VDE	 EG-Konf.	 ABS

[Miscellaneous](#)

[Special Test Certificate](#)

Shipping Approval	other
 BUREAU VERITAS	 LRS
 PRS	 RMRS

[Environmental Confirmations](#)

[Manufacturer Declaration](#)

other
Miscellaneous

Further information

Industry Mall (Online ordering system)

<https://mall.industry.siemens.com/mall/en/en/Catalog/product?mlfb=3WL1112-4FB36-1AA2>

Service&Support (Manuals, Certificates, Characteristics, FAQs,...)

<https://support.industry.siemens.com/cs/ww/en/ps/3WL1112-4FB36-1AA2>

Image database (product images, 2D dimension drawings, 3D models, device circuit diagrams, ...)

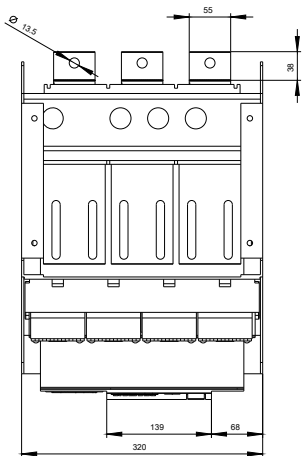
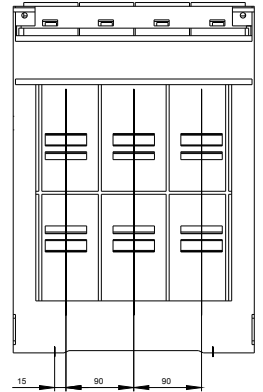
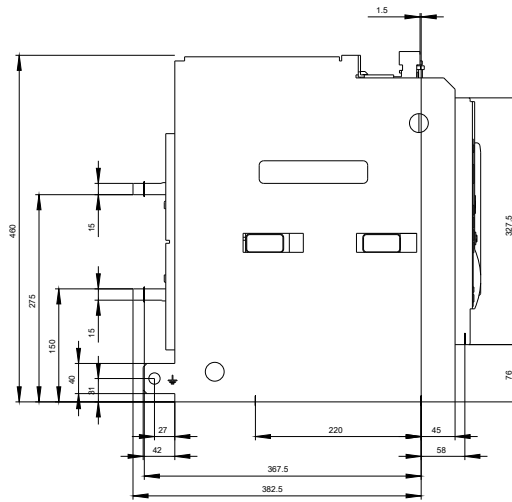
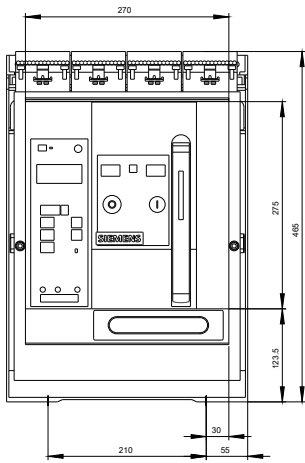
http://www.automation.siemens.com/bilddb/cax_en.aspx?mlfb=3WL1112-4FB36-1AA2

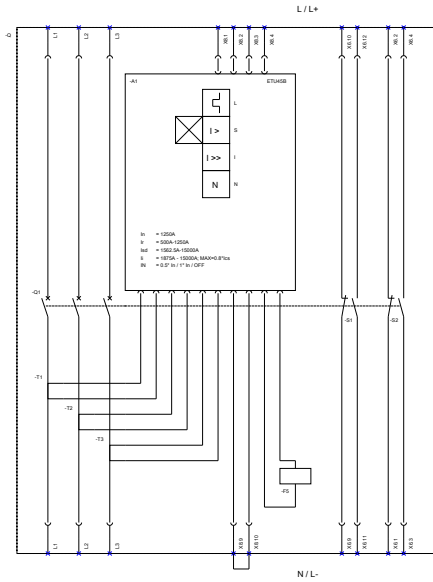
CAX-Online-Generator

<http://www.siemens.com/cax>

Tender specifications

<http://www.siemens.com/specifications>





L (Long Time Delay / Überlastschutz), S (Short Time Delay / Kurzschlusschutz, kurzzeitverzögert)
 I (Instantaneous / Kurzschlusschutz, unverzögert), N (Neutral Protection / Neutralleiterschutz), FS (Magnet for trip unit / Auslösemagnet),
 S1 - S8 (auxiliary switch / Hilfskontakt)

last modified:

06/29/2019